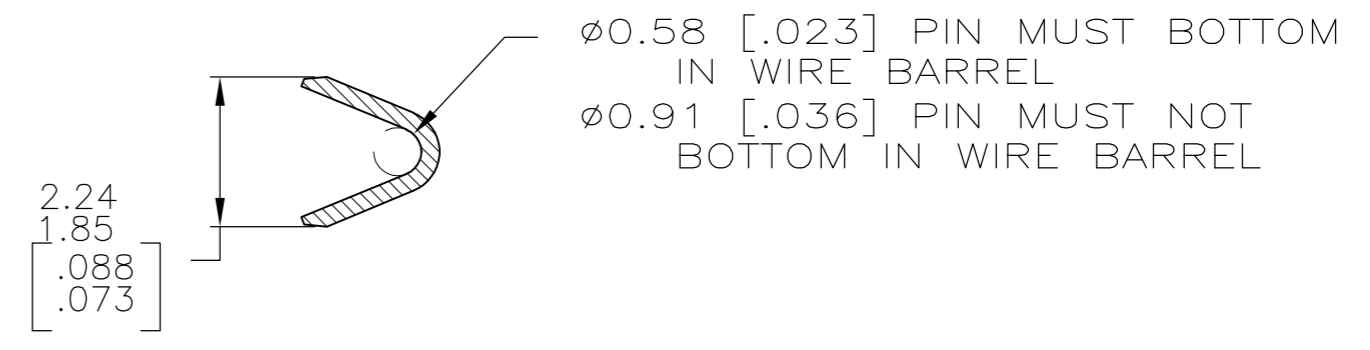
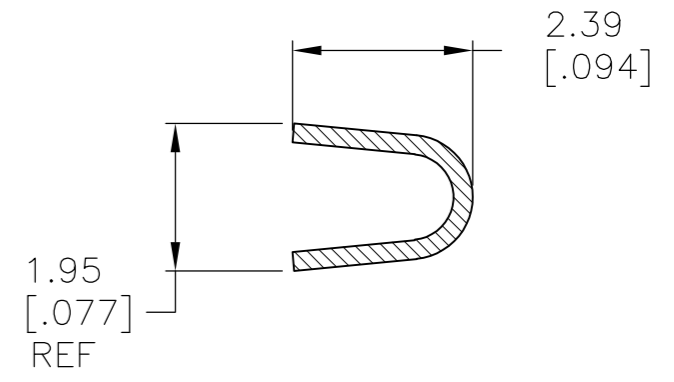
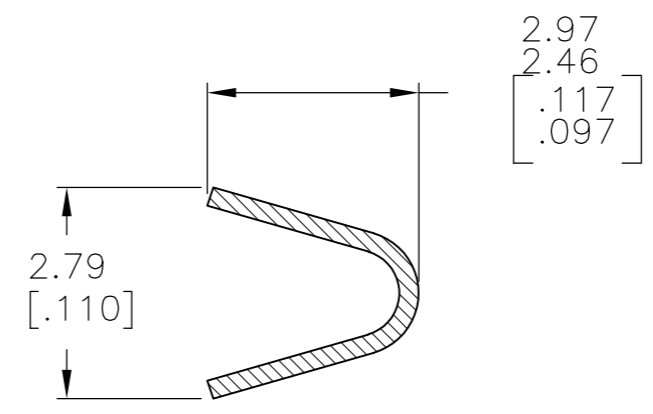
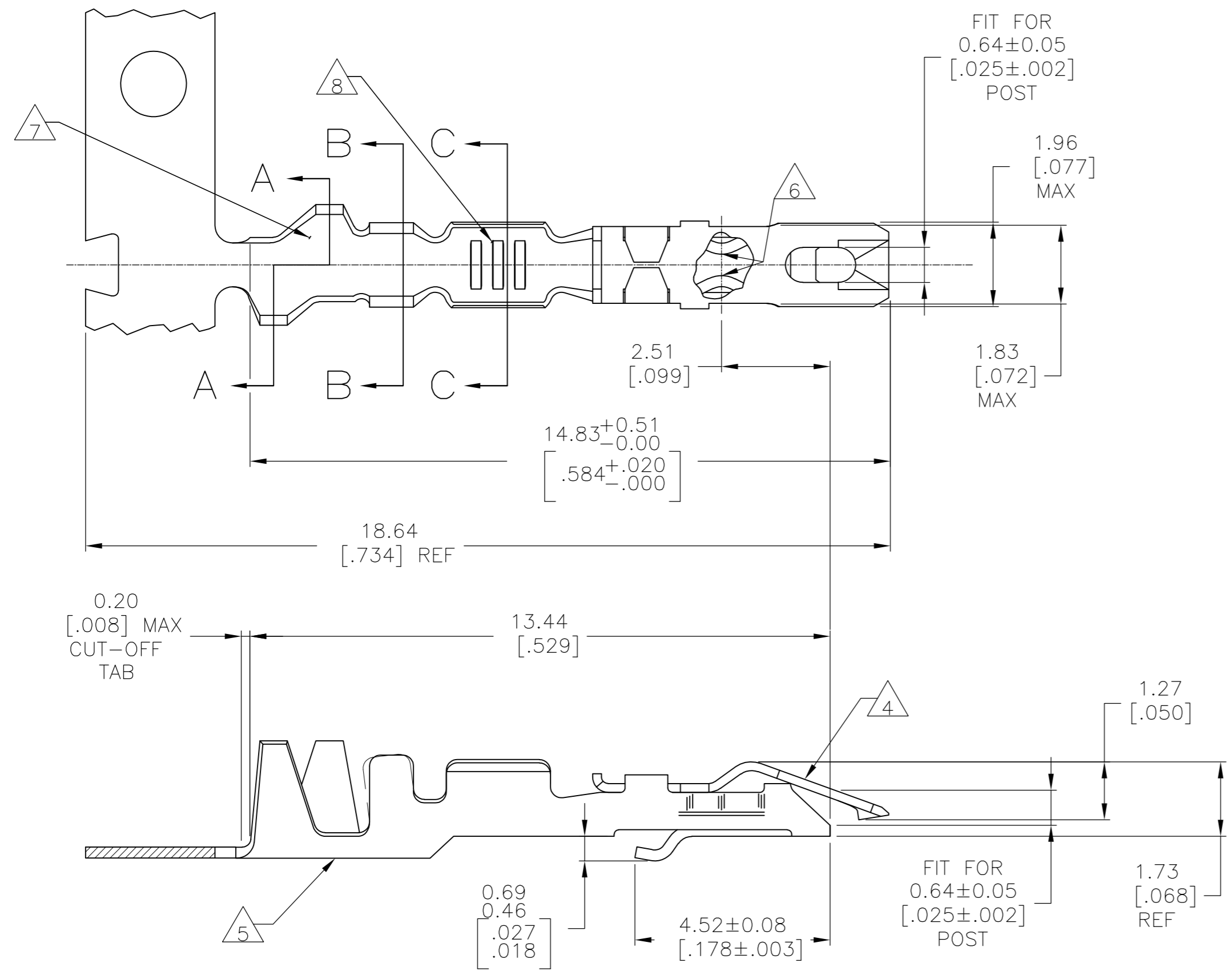


THIS DRAWING IS UNPUBLISHED. RELEASED FOR PUBLICATION
 © COPYRIGHT - By - ALL RIGHTS RESERVED.

LOC		DIST		REVISIONS			
P	LTR	DESCRIPTION		DATE	DWN	APVD	
AD	00	Z1	REVISED PER ECO-11-004917		11MAR11	RK	HMR



1. REELED FOR MINI APPLICATOR.
- 2 PLATED WITH .00254 [.000100] TIN LEAD OVER .00127 [.000050] NICKEL ENTIRE CONTACT.
- 3 PLATED WITH .00076 [.000030] GOLD IN CONTACT AREA, GOLD FLASH ON REMAINDER, OVER .00127 [.000050] NICKEL.
- 4 SPRING MATERIAL: STAINLESS STEEL.
- 5 BODY MATERIAL: PHOSPHORUS BRONZE (SEE TABLE FOR FINISH.)
- 6 POINT OF PLATING MEASUREMENT.
- 7 INSULATION BARREL RANGE ø0.71 [.038]-ø1.57 [.062].
- 8 WIRE BARREL RANGE #20
- 9 PLATED WITH .00254 (.000100) TIN OVER .00127 (.000050) NICKEL, ENTIRE CONTACT.

SUPERSEDED BY 5-867052-1

9	5-867052-1
9	867052-3
3	867052-2
2	867052-1
FINISH	PART NUMBER

THIS DRAWING IS A CONTROLLED DOCUMENT.		DWN	E.BRANDBERG	17-1-93		TE Connectivity	
DIMENSIONS: mm [INCHES]		CHK	S. SHUEY	26-1-93		CONTACT ASS'Y, LOCKING CLIP. FOR .025 SQUARE POST.	
TOLERANCES UNLESS OTHERWISE SPECIFIED:		APVD	-	-	NAME		
0 PLC ± -		PRODUCT SPEC		108-36028	SIZE		
1 PLC ± -		APPLICATION SPEC		114-25006	CAGE CODE	DRAWING NO	RESTRICTED TO
2 PLC ± -		WEIGHT		-	A2	00779	C=867052
3 PLC ± 0.13[.005]		CUSTOMER DRAWING		SCALE	10:1	SHEET	1 OF 1
4 PLC ± -		FINISH		AS SHOWN	REV	Z1	
ANGLES ± -		MATERIAL		AS SHOWN			